

## 20 GHz Photodiode, Module



**SK-PD-20- M**

The Optilab SK-PD-20-M is a 20 GHz photodiode module designed for RF over Fiber, antenna remoting, and broadband RF transmission applications using single mode optical. The SK-PD-20-M can accept input power of up to 35 mW. The SK-PD-20-M utilizes a high input power, low distortion PIN photodiode that provides optical to RF conversion out to the frequency range beyond 20 GHz. This compact, cost-effective receiver module can provide users with status monitoring through the use of an on-board processor that communicates to a host computer over an RS-232 I/O interface via a standard USB 2.0 port. When the SK-PD-20-M RF over fiber receiver module is linked with the LT series of RF over fiber transmitter modules, the combination provides an excellent solution for ultra-wideband RF to fiber conversion applications, go to [optilab.com](http://optilab.com) for more details.

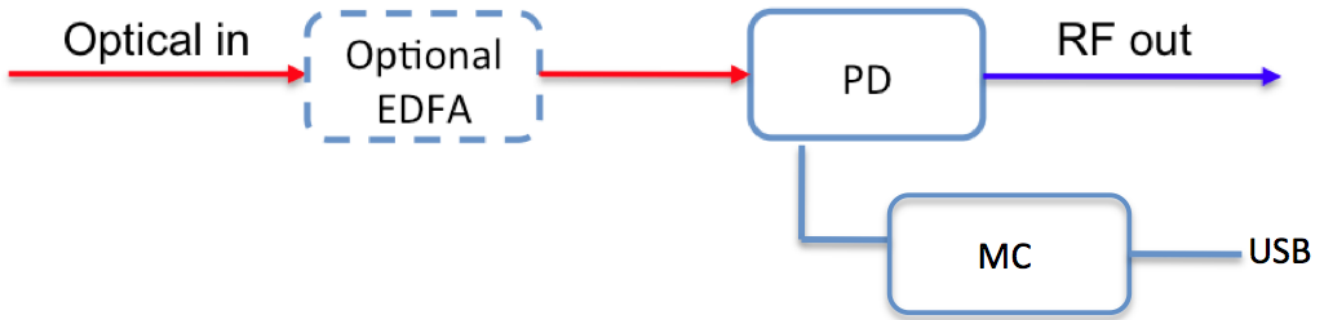
### Features

- Ultra-wide Bandwidth up to 20 GHz
- High Dynamic Range
- High Input Power Handling Capacity of 35 mW
- Highly Linear for Analog Signals Transmission
- No TIA for Intrinsic Phase Linearity
- Status Monitoring: RS-232 (Standard)
- Power and Remote Monitoring via [USB Port](#)

### Applications

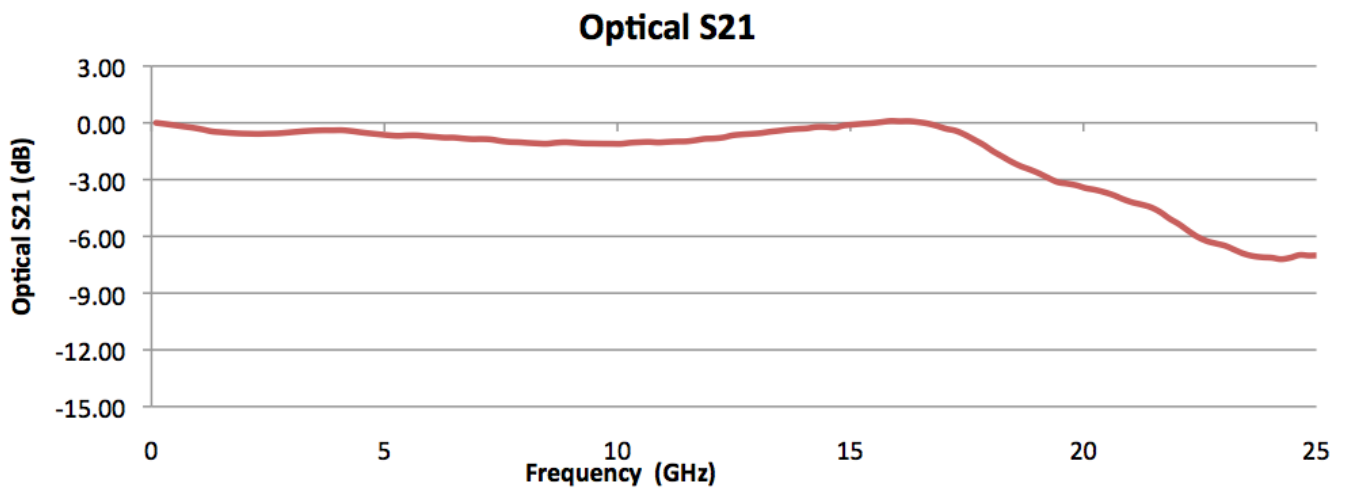
- Wideband RF Transmission over Fiber
- RF/IF Signal Distribution
- Satcom Microwave Antenna Signal Distribution
- EW Systems ➤ Broadband Delay-line and Signal Processing
- LIDAR Receivers
- Phased and Interferometric Array Antenna

### Functional Diagram



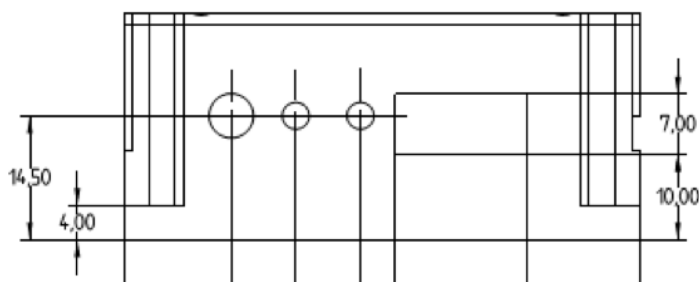
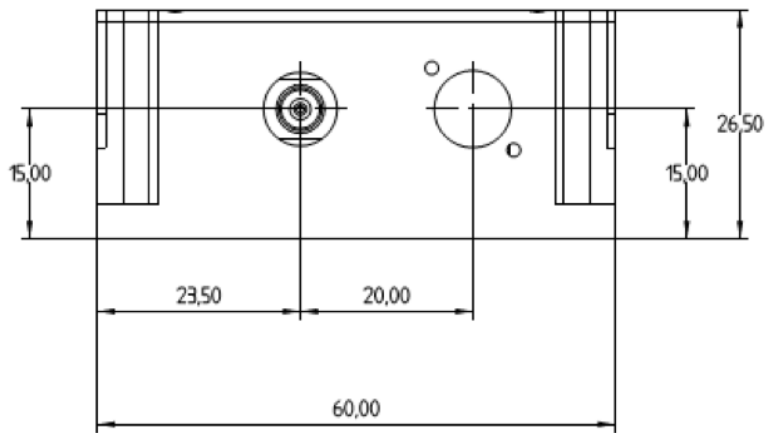
General Specifications	
Photodiode Wavelength Range	1260 nm to 1600 nm
Operational Bandwidth	60 KHz to 20 GHz
Optical Input Level	35 mW max.
Responsivity	0.85 A/W @ 1550 nm typ. 0.90 A/W @ 1310 nm typ. 0.40 A/W @ 850 nm typ.
S21 3 dB Bandwidth	17 GHz min., 19 GHz typ.
S22 Characteristics	< -10 dB @ 20 GHz
Optical Return Loss	-30.0 dB typ.
2nd Harmonics Distortion	-70.0 dBc max.
3rd Harmonics Distortion	-75.0 dBc max.
Optical PDL @ 1550 nm	0.05 dB max.
Output Coupling	AC Coupled
RF Impedance	50 Ω
Ripple over Bandwidth	±1.0 dB max.
Link Performance with LT-20	
SFDR	113 dB Hz <sup>2/3</sup>
Link Loss	-20 dB @ 10 dBm optical
Mechanical Specifications	
Operating Temperature	-10° C to +50° C
Storage Temperature	-20° C to +80° C
Power Supply Requirements	+5 V DC, 500 mA max.
Optical Connector	FC/APC, SC/APC Optional
RF Input Connector	K Connector Female, 50 Ω
DC Connector	Plug-in typ.
Local Alarm	LED: Optional Input Power
Remote Alarms	RS-232 Interface (Standard) via USB
Dimensions	82 mm x 56 mm x 25 mm
Accessories Included	110 V - 240 V AC USB Adaptor & Cable
Housing	Precision Mach. Anodized Aluminum

## Typical S21 Bandwidth



## 20 GHz Photodiode, Module

### Mechanical Drawing



Unit: mm